

G-8056H-RH0

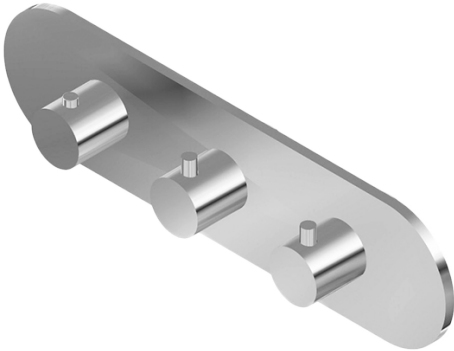
M.E. Collection

M-Series Valve Horizontal Trim with Three Handles

GRAFF[®]
CUTTING EDGE DESIGN

Product Features

- Three metal handles, decorative trim plate
- Use with M-Series rough valves



Available Finishes

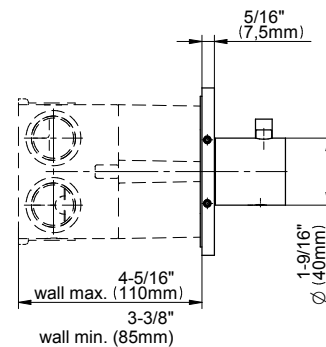
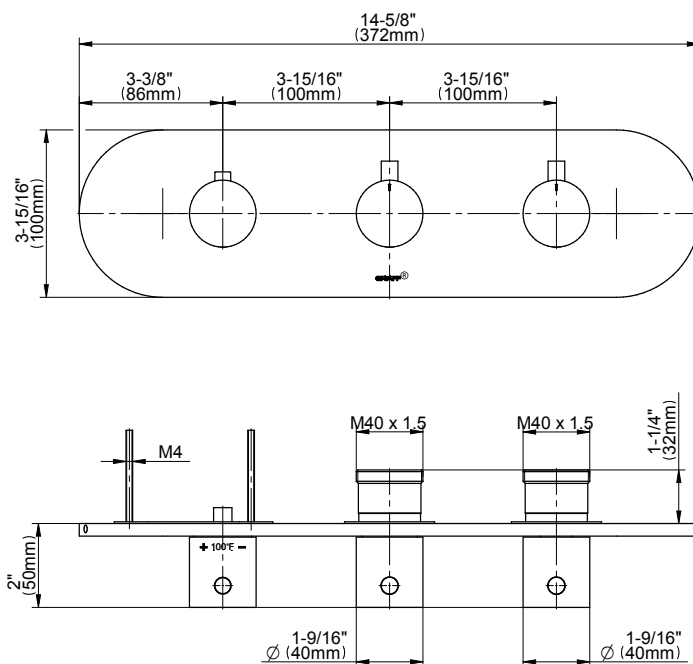
- Polished Chrome
G-8056H-RH0-PC
- Brushed Nickel
G-8056H-RH0-BNi
- Polished Nickel
G-8056H-RH0-PN
- Steelnox[®]
G-8056H-RH0-SN
- Olive Bronze^{™*}
G-8056H-RH0-OB*
- Unfinished Brass*
G-8056H-RH0-UB*
- Architectural Black^{™*}
G-8056H-RH0-BK*
- Architectural White*
G-8056H-RH0-WT*
- Brushed Gold*
G-8056H-RH0-BAU*

* Special order finish- call for availability

Warranty

- Limited lifetime warranty

For complete warranty information go to <http://www.graff-designs.com/en/info/faqs>



The measurements shown are for reference only. Products and specifications shown are subject to change without notice. Revised 10/2017

www.graff-designs.com | phone: 800-954-4723